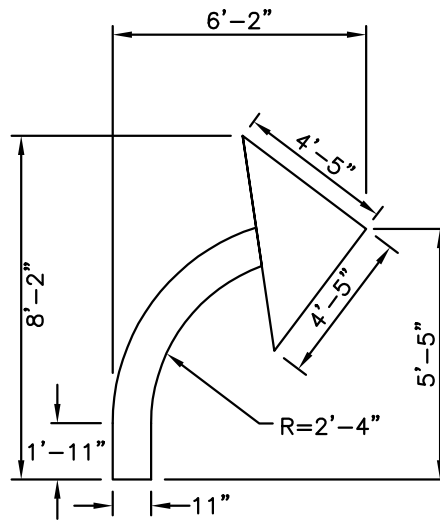
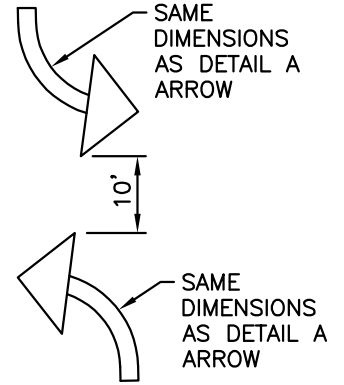


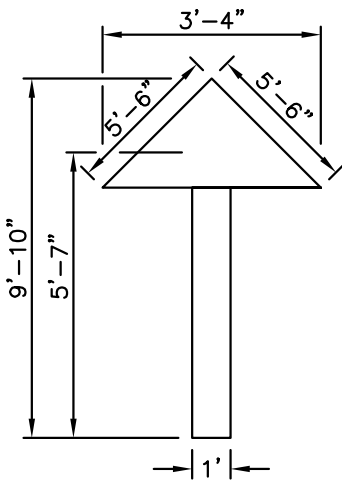
**DETAIL A
LEFT**



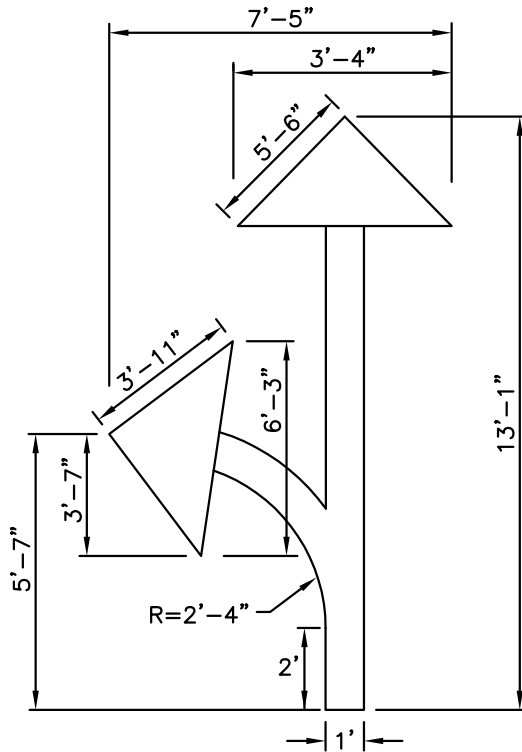
**DETAIL A
RIGHT**



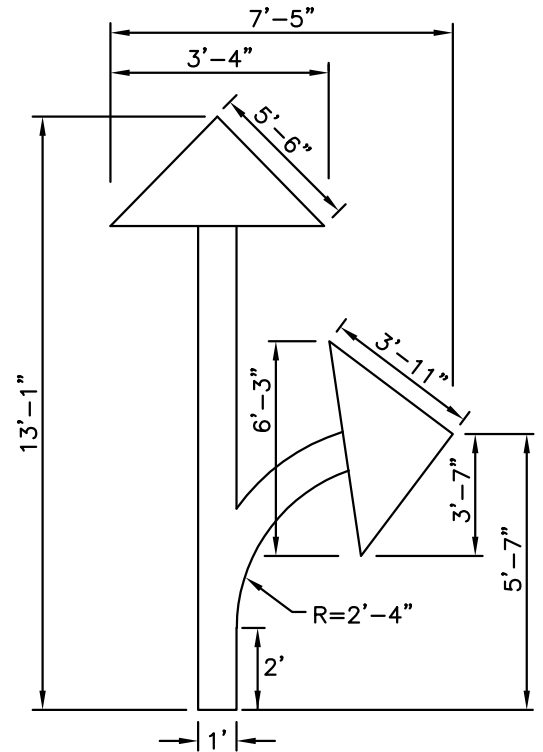
**DETAIL C
TWO WAY LEFT TURN**



**DETAIL D
STRAIGHT**



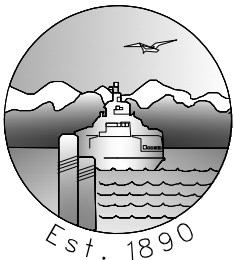
**DETAIL E
STRAIGHT/LEFT**



**DETAIL F
STRAIGHT/RIGHT**

NOTE:

1. MATERIAL SHALL BE HEAT FUSED LOW PROFILE PREFORMED THERMOPLASTIC, UNLESS OTHERWISE APPROVED BY THE CITY ENGINEER.



CITY OF EDMONDS
PUBLIC WORKS
DEPARTMENT

**PAVEMENT ARROW
MARKINGS**

APPROVED BY: R. ENGLISH

REVISION DATE
OCTOBER 2018

STANDARD
DETAIL
TR-566